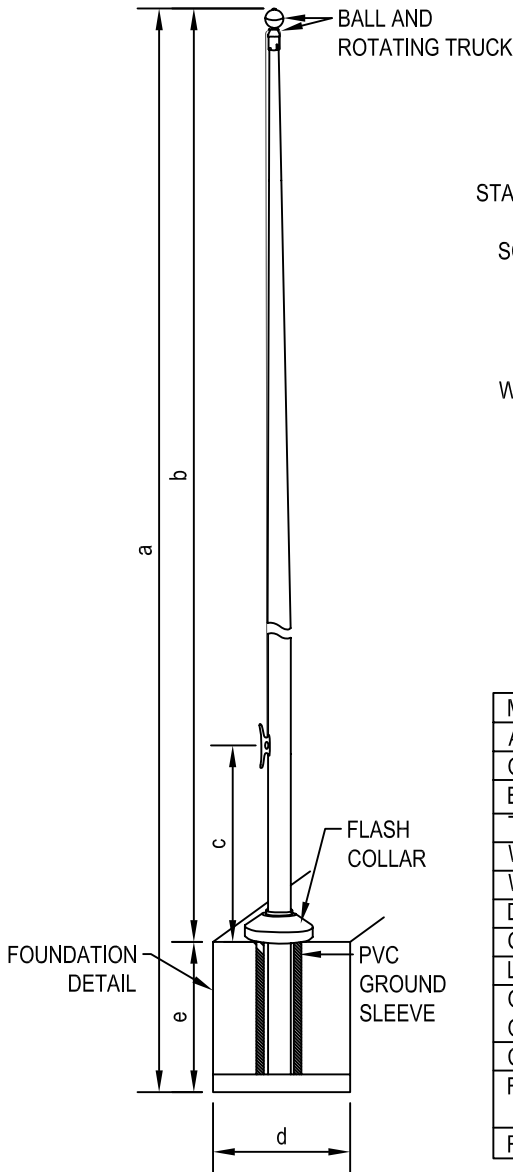
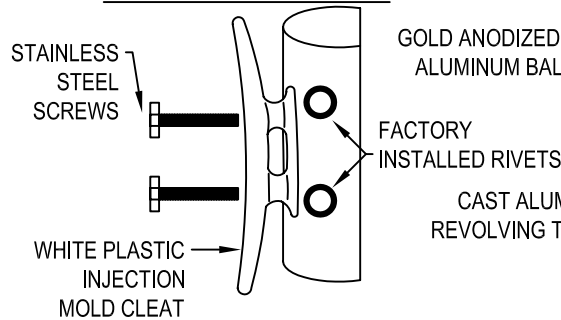


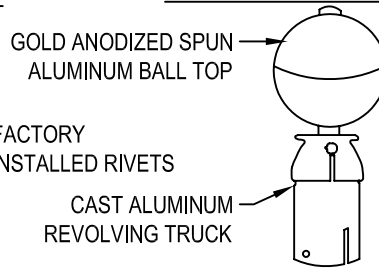
## BALL AND ROTATING TRUCK



## CLEAT AGAINST POLE



## SADDLE AND BALL TOP



MODEL		FG20R	FG25R	FG25	FG30	FG35	FG40
ABOVE GROUND HEIGHT (ft.)	b	20	25	25	30	35	40
OVERALL LENGTH (ft.)	a	22	27.5	27.5	33	39	44
BUTT DIAMETER (INCHES)		4.75	4.75	6	6.75	7	7
TOP DIAMETER (INCHES)		3	3	3	3	3	3
WALL THICKNESS		1/8"	1/8"	1/8"	1/5"	1/5"	1/5"
WEIGHT OF POLES (lbs)		30	35	39	75	89	111
DIAMETER OF GOLD BALL (INCHES)		5	5	5	6	6	6
GROUND COLLAR - DIAMETER (INCHES)		15	15	15	15	17.5	17.5
LENGTH OF GROUND TUBE (ft.)		2	2.5	2.5	3	4	4
OUTSIDE DIAMETER OF GROUND TUBE (INCHES)		5	5	7	8	8	8
CLEAT HEIGHT FROM GROUND (ft.)	c	5	5	5	5	5	5
FOUNDATION DETAIL WIDTH (INCHES)	d	20	20	24	27	27	27
FOUNDATION DETAIL DEPTH (INCHES)	e	30	36	36	42	54	54
RECOMMENDED FLAG SIZE		3 x 5	4 x 6	4 x 6	5 x 8	6 x 10	8 x 12

### NOTES:

1. INSTALLATION TO BE COMPLETED IN ACCORDANCE WITH MANUFACTURERS SPECIFICATIONS.
2. DO NOT SCALE DRAWINGS.
3. CONTRACTORS NOTE: FOR PRODUCT AND COMPANY INFORMATION VISIT [www.CADdetails.com/info](http://www.CADdetails.com/info) REFERENCE NUMBER 834-008.

