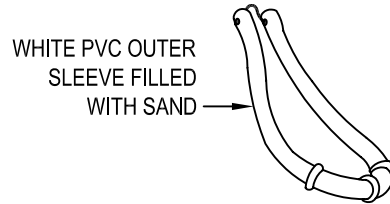
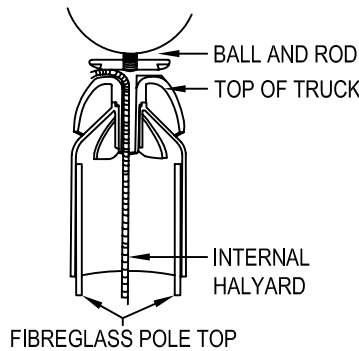


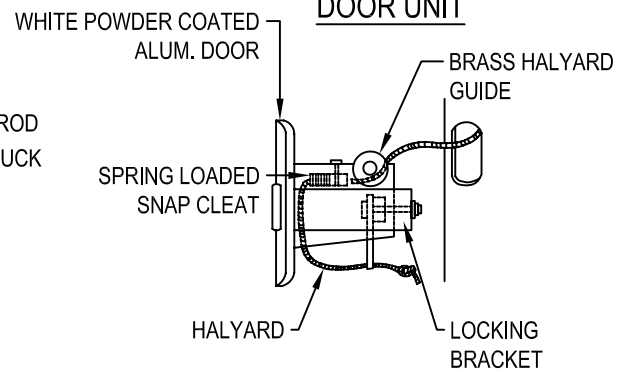
COUNTERWEIGHT



SADDLE AND BALL TOP



DOOR UNIT



MODEL		FGI25	FGI30	FGI35	FGI40
ABOVE GROUND HEIGHT (ft.)	b	25	30	35	40
OVERALL LENGTH (ft.)	a	27.5	33	39	44
BUTT DIAMETER (INCHES)		6	6.75	7	7
TOP DIAMETER (INCHES)		3	3	3	3
WALL THICKNESS		1/8"	1/5"	1/5"	1/5"
WEIGHT OF SHAFT ONLY (lbs)		39	75	89	111
DIAMETER OF GOLD BALL (INCHES)		5	6	6	6
GROUND COLLAR - DIAMETER (INCHES)		15	15	17.5	17.5
LENGTH OF GROUND TUBE (ft.)		2.5	3	4	4
OUTSIDE DIAMETER OF GROUND TUBE (INCHES)		7	8	8	8
INTERNAL HALYARD DOOR HEIGHT FROM GROUND (ft.)	c	5	5	5	5
FOUNDATION DETAIL WIDTH (INCHES)	d	24	27	27	27
FOUNDATION DETAIL DEPTH (INCHES)	e	36	42	54	54
RECOMMENDED FLAG SIZE		4 x 6	5 x 8	6 x 10	8 x 12

NOTES:

1. INSTALLATION TO BE COMPLETED IN ACCORDANCE WITH MANUFACTURERS SPECIFICATIONS.
2. DO NOT SCALE DRAWINGS.
3. CONTRACTORS NOTE: FOR PRODUCT AND COMPANY INFORMATION VISIT www.CADdetails.com/info REFERENCE NUMBER 834-007.

